

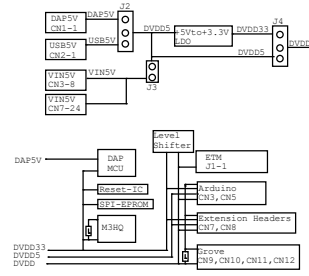
Title	Page
Sheet1: Title Sheet	1
Sheet2: MCU	2
Sheet3: MCU1	3
Sheet4: DAP	4
Sheet5: DAP1	5
Sheet6: User IO	6

Date	Revision	Change
April, 19 2018	Rev1.0	1. First Revision

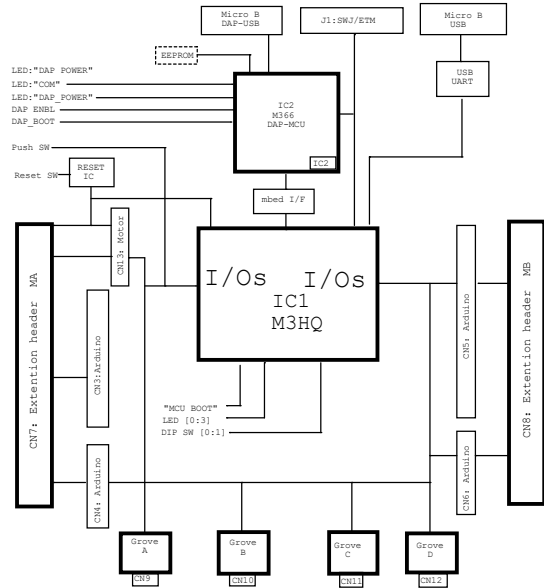
Power Category	Connector	Pin	Power voltage
DAP5V	CN1	1	DAP-USB VBUS power +5V
USB5V	CN2	1	USB VBUS power +5V
VIN5V	CN3	8	Arduino VIN, +5V
	CN7	24	+5V

Power Category	Connector	Pin	Name	Power voltage
DVDD5	CN7	5	5V	+5V
		6	DVDD5	
		18	5V	
DVDD33	CN3	4	3.3V	+3.3V
		16	3.3V	
DVDD	CN7	1	DVDD	+5V or +3.3V
		2	IOREF	
		5	DVDD	
	CN10, CN11, CN12	12	IOREF	
		33	DVDD	
		3	DVDD	
		3	DVDD	
AVDD2	CN8	8	AREF	Analog +5V
		7	AREF	
		3	AREF	

Power Tree



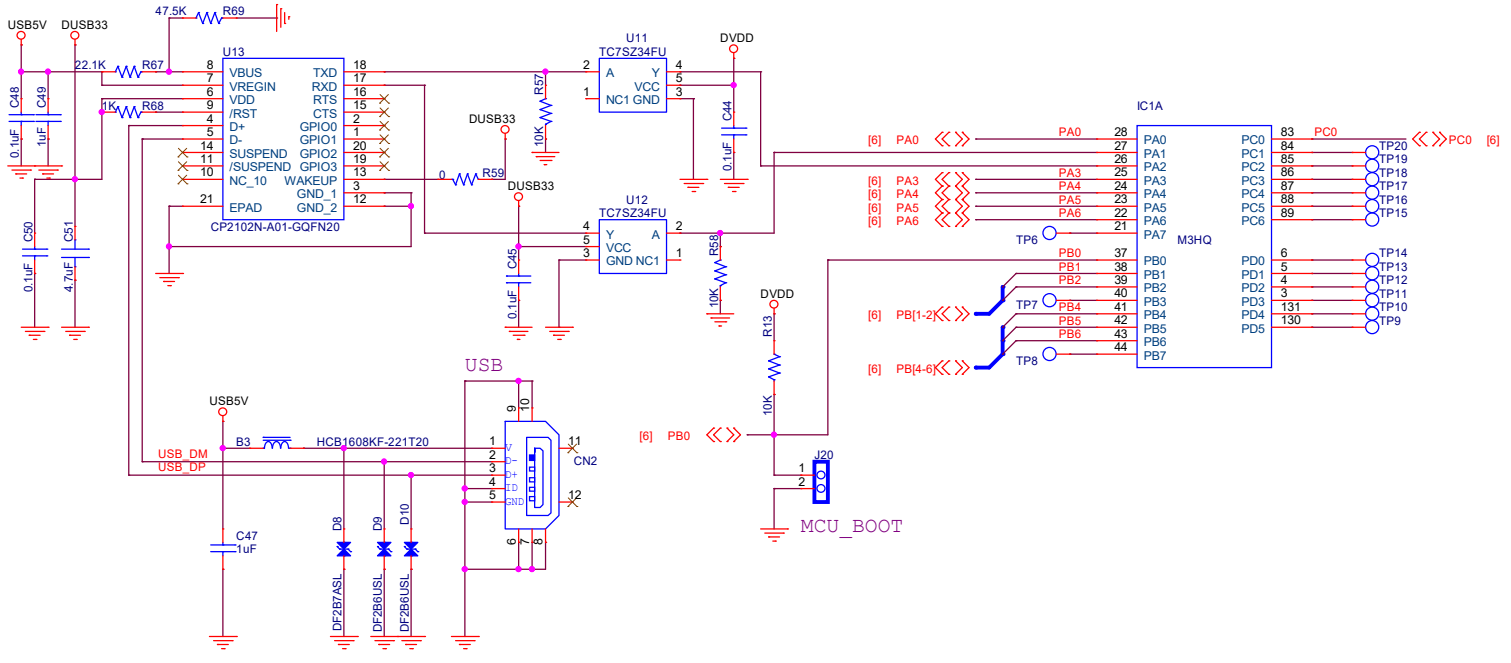
Schematic Block



Thunder Software Technology Co., Ltd.		
Title	TMPM3HQDFG Starter Kit Schematics	
Size	Document Number	Rev
A4	Sheet1: Title Sheet	1.0
Date:	Wednesday, July 18, 2018	Sheet 1 of 6

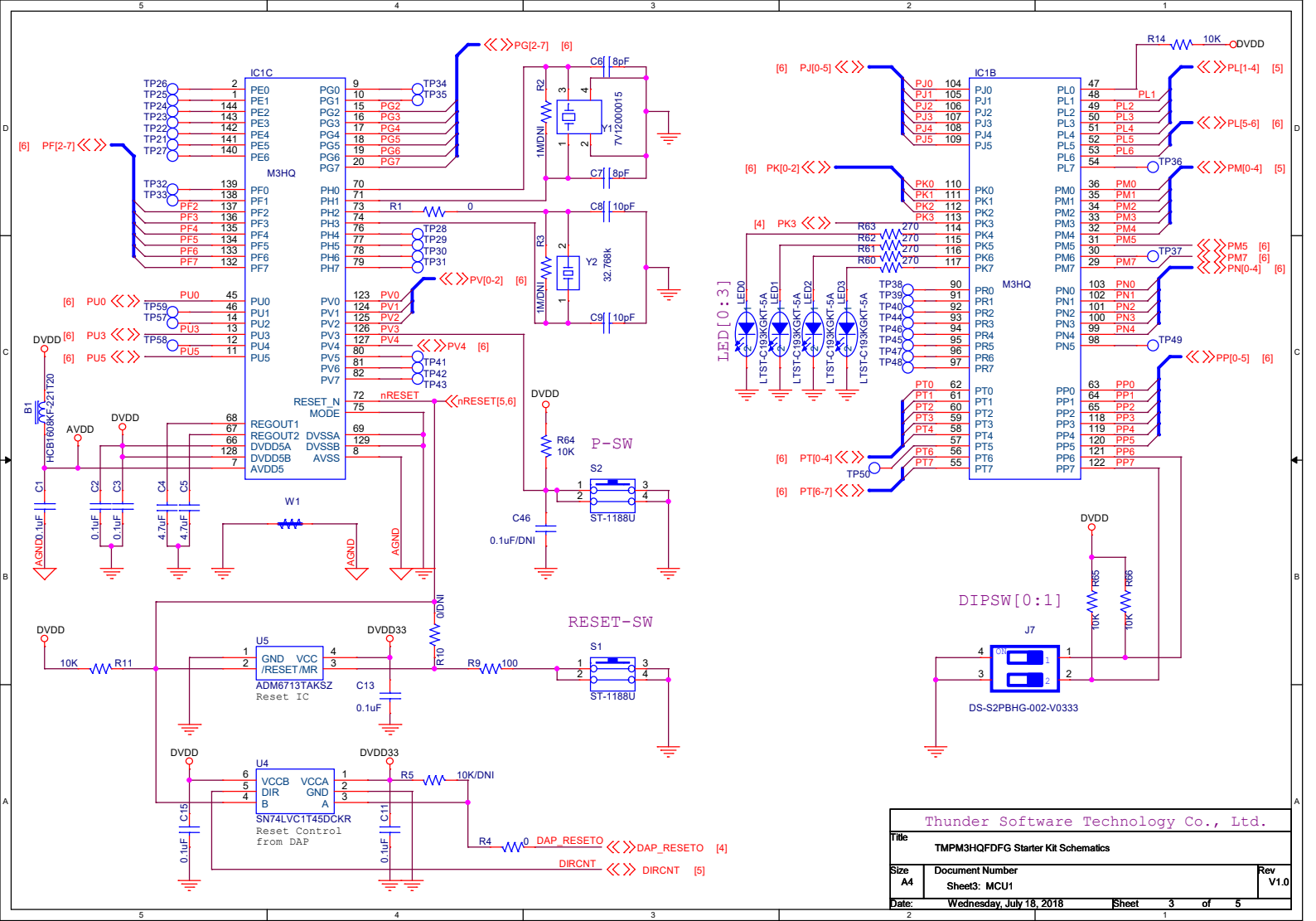
mk12mk1 mk10mk9 mk8 mk7
mk6 mk5 mk4 mk3 mk2 mk1

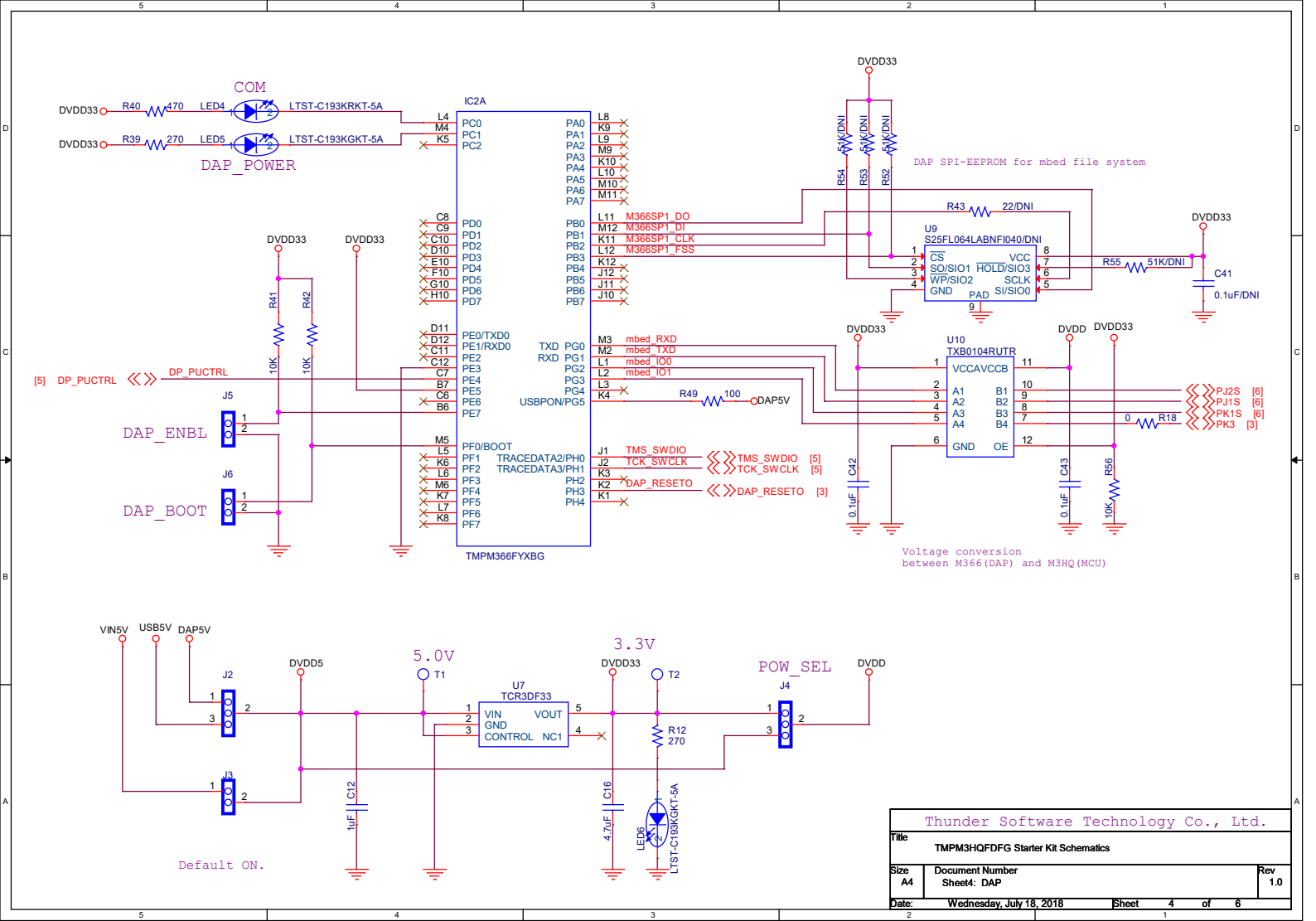
MARK POINT



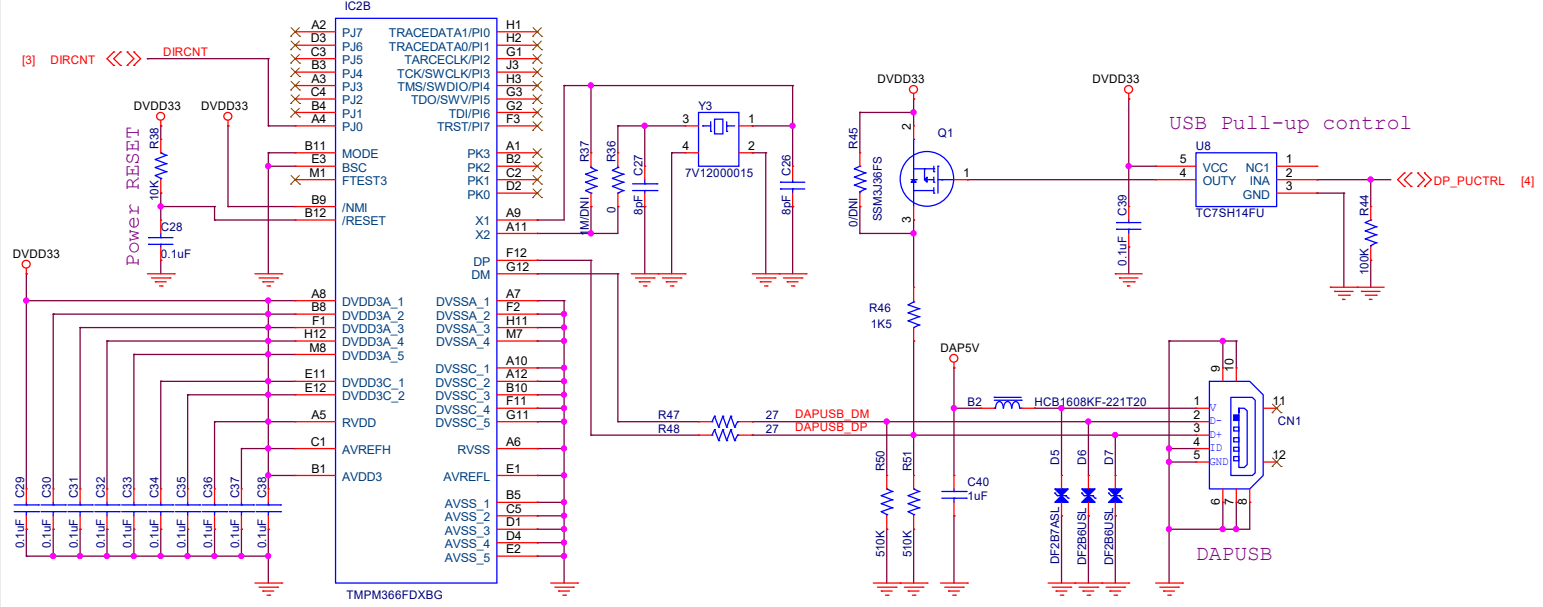
Thunder Software Technology Co., Ltd.

Title		
TMPM3HQDFG Starter Kit Schematics		
Size	Document Number	Rev
A4	Sheet2: MCU	1.0
Date:	Wednesday, July 18, 2018	Sheet 2 of 5

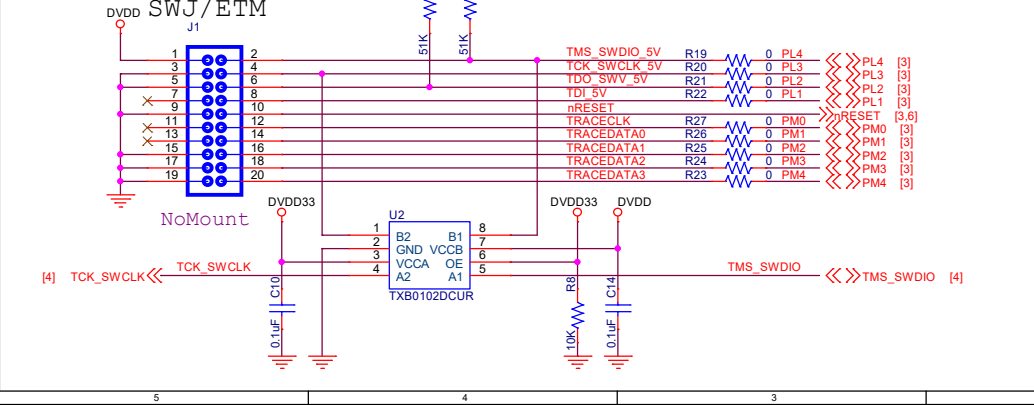




Thunder Software Technology Co., Ltd.		
Title	TMPM3HQDFG Starter Kit Schematics	
Size A4	Document Number Sheet4: DAP	Rev 1.0
Date: Wednesday, July 18, 2018	Sheet 4	of 6



SWD Debug for DAP

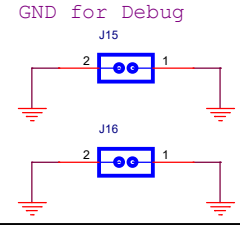
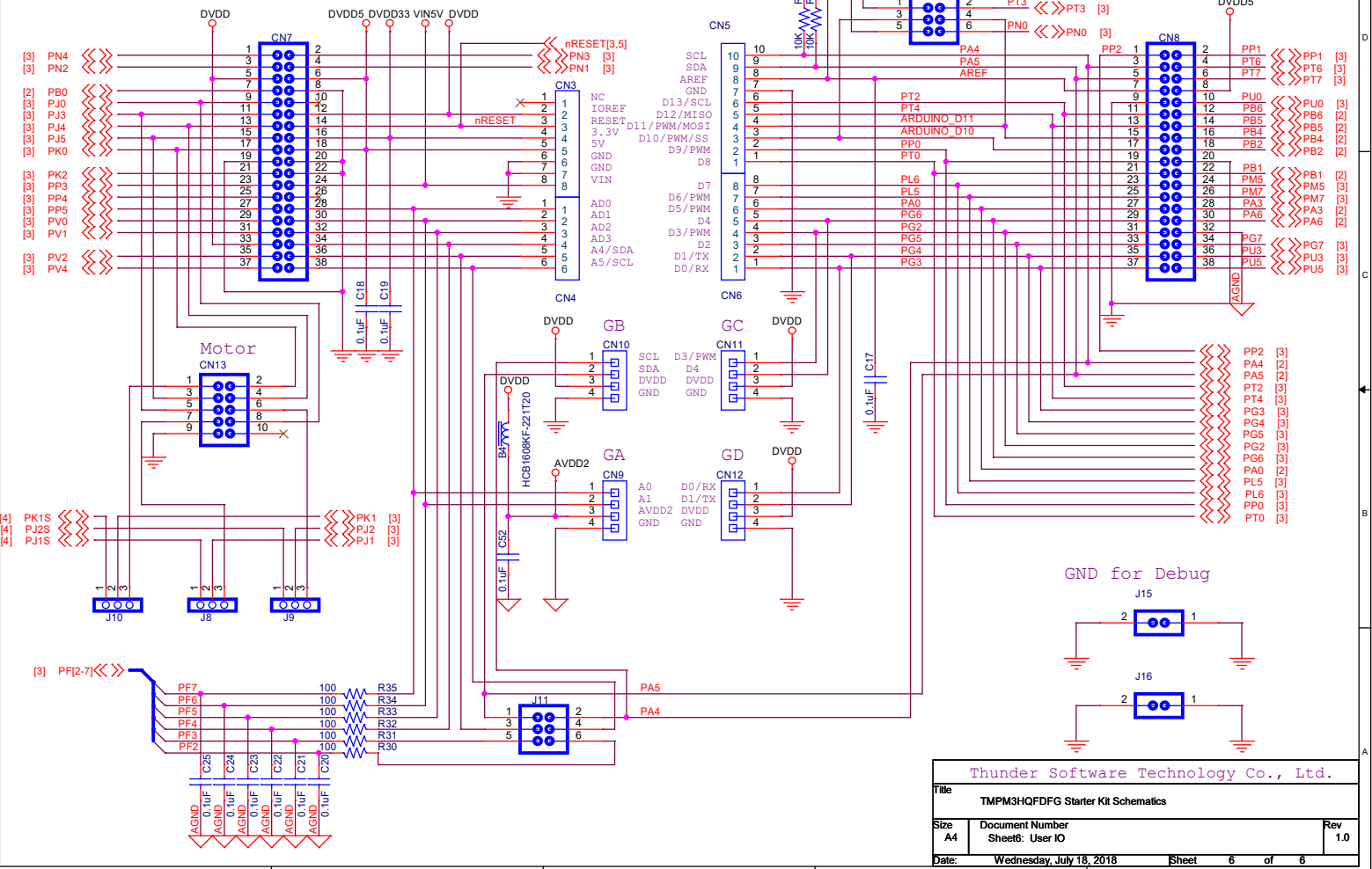


Thunder Software Technology Co., Ltd.		
Title: TMPM3HQDFG Starter Kit Schematics		
Size: A4	Document Number: Sheet5: DAP1	Rev: V1.0
Date: Wednesday, July 18, 2018	Sheet: 5 of 6	

Extention header MA

Arduino

Extention header MB



Thunder Software Technology Co., Ltd.

Title		
TMPM3HQFDFG Starter Kit Schematics		
Size	Document Number	Rev
A4	Sheet6: User IO	1.0
Date:	Wednesday, July 18, 2018	Sheet 6 of 6